

## MSD Firewall Feed-Thru PN 8211 AND PN 8212

### Parts Included In This Kit:

1-Firewall Feed-Thru

1. Choose a clear, flat location on the firewall, away from hot exhaust temperatures, for mounting the Firewall Feed-Thru. Remember, the shorter the coil wire the less chance for spark loss.
2. At the center of the chosen location, make a 1 inch diameter hole using either a hole-saw or a knock-out punch.
3. Place the Firewall Feed-Thru in the 1" hole and mark the centers of the 4 mounting holes. You may also use Figure 1 as a template. Remove the Firewall Feed-Thru.
4. If the firewall is thick enough (1/4" or more), you can drill the 4 holes with a #29 drill bit and then tap them for 8-32 size screws.

If the firewall is made of a thin piece of sheet metal or aluminum, you will have to use screws with nuts on the back. In this case, drill the 4 mounting holes with #15 drill bit and use #8 screws with the proper nuts.

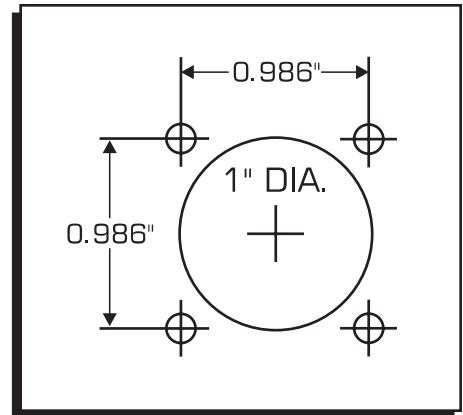


Figure 1

5. Install the Firewall Feed-Thru in the 1" hole using the mounting method that you selected. The flange can go either side of the firewall as long as it seats against a flat surface. When you tighten the screws, use Loctite and be careful not to crush the plastic. For a waterproof installation, squirt a little silicon on the flange before tightening the screws.

6. Connect one coil wire from the distributor to the Firewall Feed-Thru and another coil wire from the Feed-Thru to the coil. You must use 90 degree spark plug style (HEI style) boots and terminals for connections on both ends of the Firewall Feed-Thru. See Figure 2.

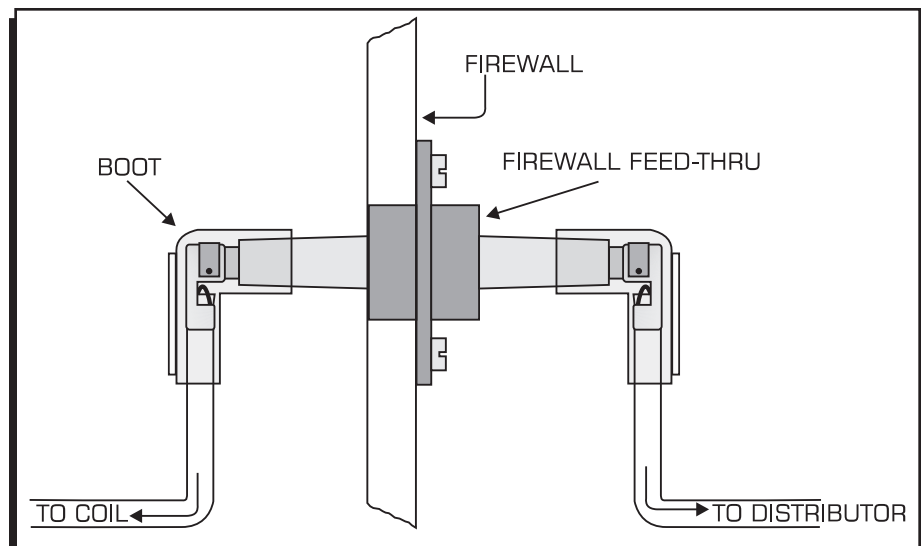


Figure 2

