

# MSD IGNITION INSTALLATION INSTRUCTIONS

## MSD Module Selectors Two Step, PN 8739 Three Step, PN 8737

### Parts Included:

1 - Module Selector  
4 - Mounting Screws

1 - Parts Bag, Wiring Terminals

**Note:** Do NOT use solid core spark plug wires with any MSD component.

The MSD Module Selectors provide the ability to switch between two or three different rpm or degree modules. The different modules are activated when 12 volts are applied to the corresponding activation wire. The Selectors work with either a Soft Touch Rev Control or any MSD Timing Control that uses plug-in modules.

- The 2-Step Module Selector switches between two modules.
- The 3-Step Module Selector switches between three modules.

ACTIVATION WIRES	
<b>Module 2</b>	This is the default module. It is active when no voltage is present on the other wires.
<b>Module 1</b>	Active when 12 volts are applied to the Red Wire.
<b>Module 3</b>	Active when 12 volts are applied to the Blue Wire. (3-Step Only)
<b>Note:</b> If 12 volts are applied to the Red and Blue wires at the same time, Module 3 will be active.	

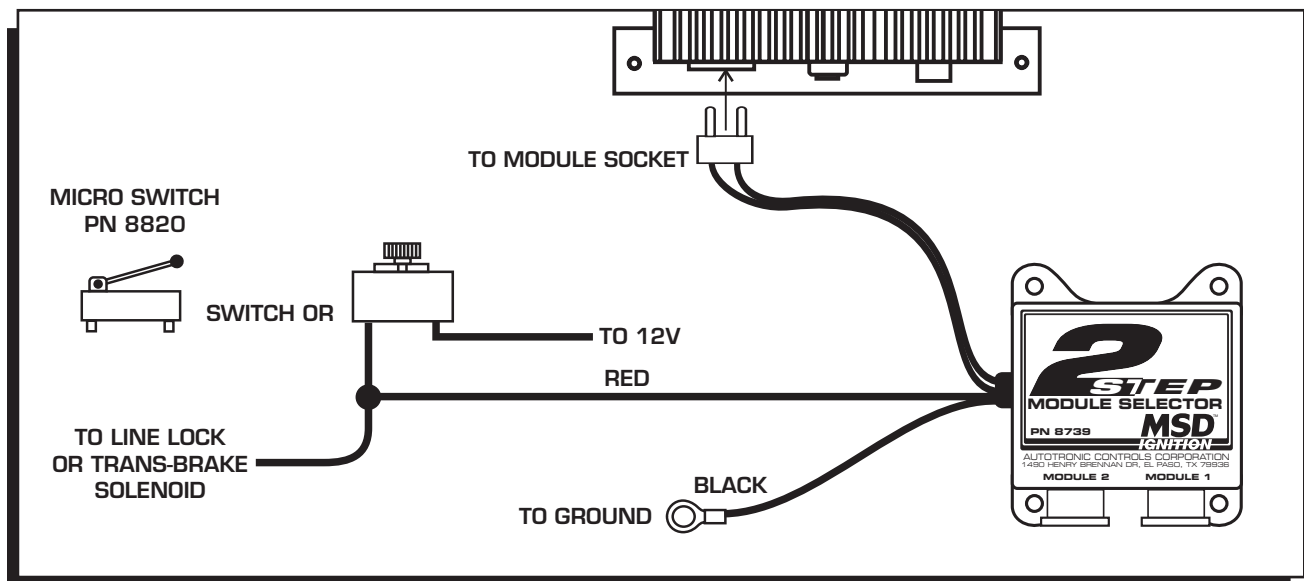


Figure 1 Basic Two Step Module Selector Installation.



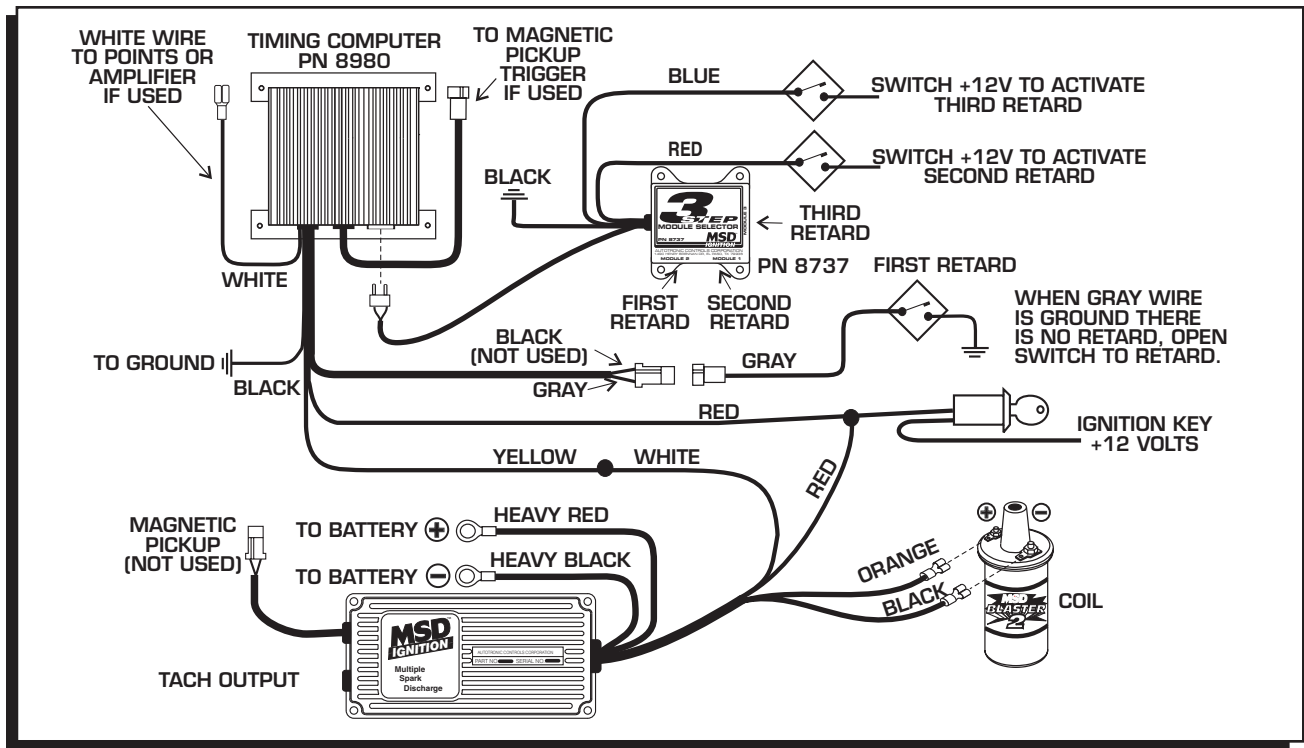


Figure 4 Wiring a Three Step to a Timing Control for Multiple Retards.

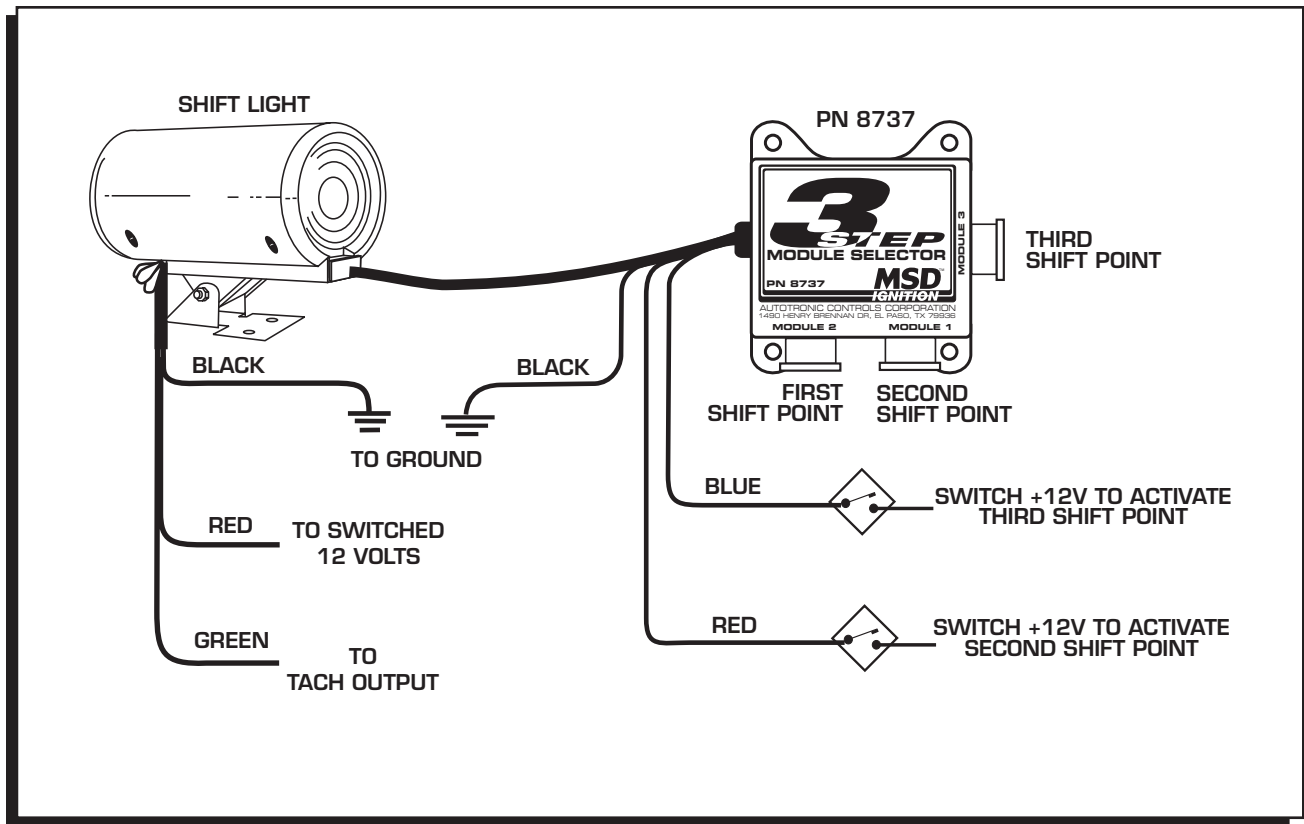


Figure 5 Wiring a Three Step to a Shift Light for Multiple Shift Points.

